

DEKS INDUSTRIES
5/841 Mountain Highway
Bayswater
Victoria 3153
www.deks.com.au

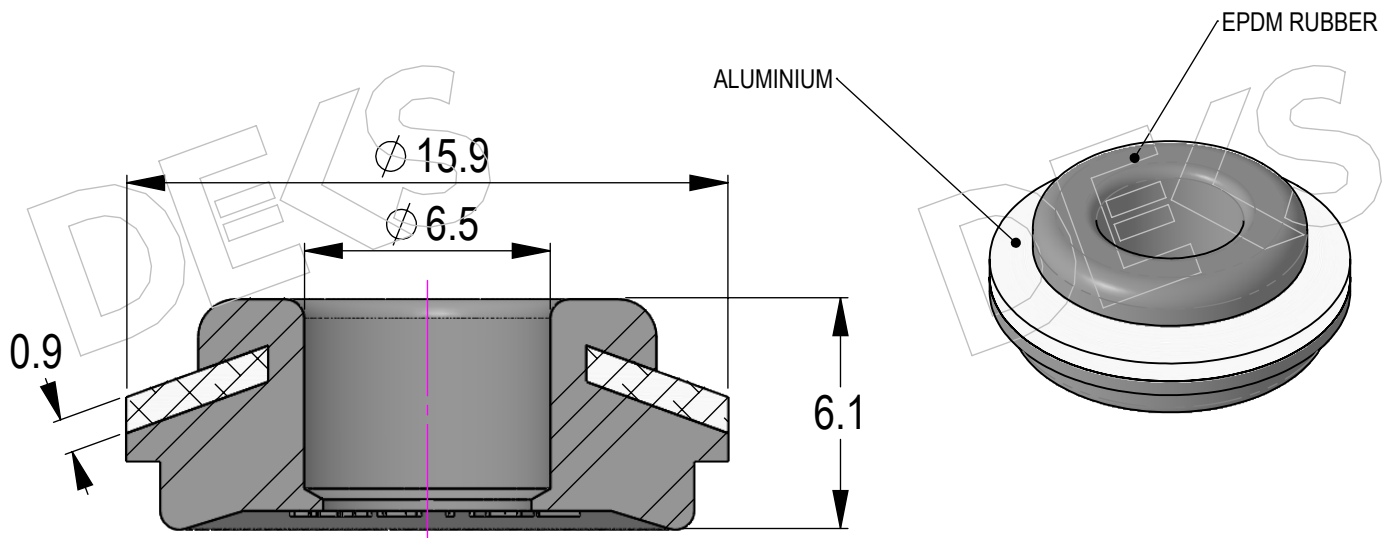


Technical Documents

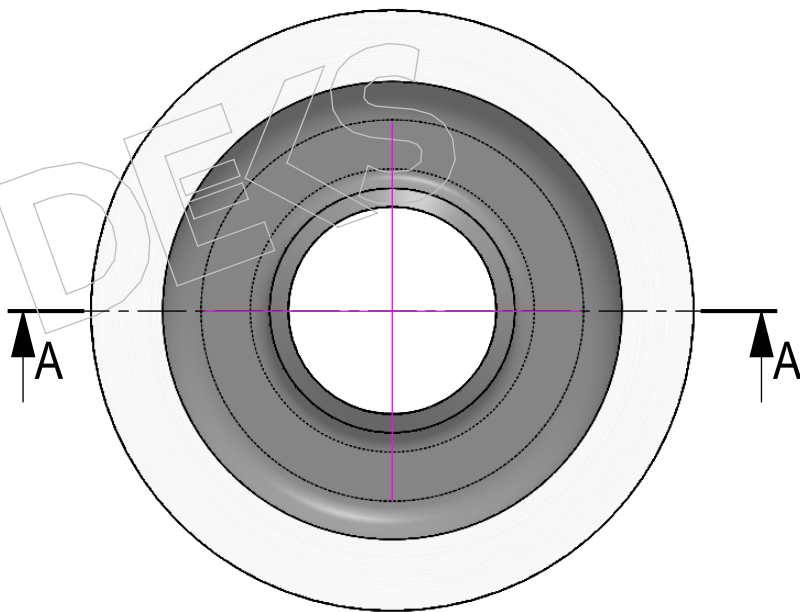
1: Drawings DM-A16-B14-A

*Follow
Us On*





SECTION A-A



Part Number	Display Name	Material
DM-A16-B14-A	Dekfast Multiseal 16mm (0.6") Blk Alu 14g	AL/EPDM

*EPDM RUBBER IS NON-CONDUCTIVE